

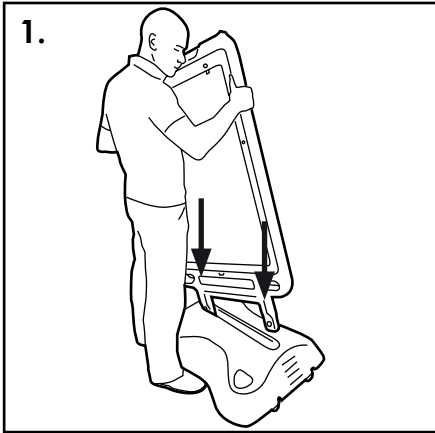
ADVOCATE™ SIDEWALK SIGN



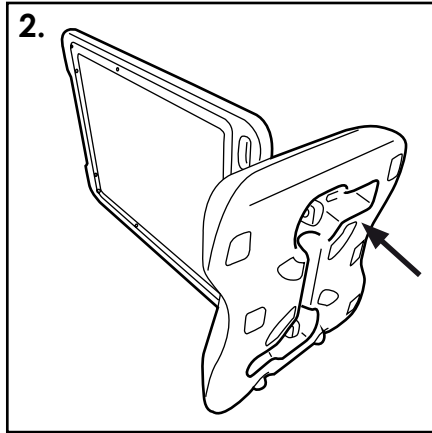
Assembly/Operator Instruction Leaflet

IMPORTANT NOTE: ENSURE THAT ALL RELEVANT PERSONNEL READ THESE INSTRUCTIONS PRIOR TO USE

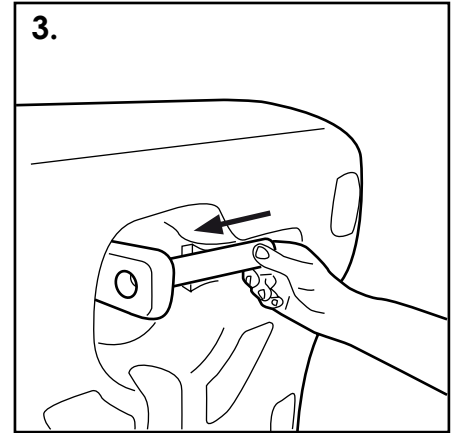
Assembling the Body to the Base



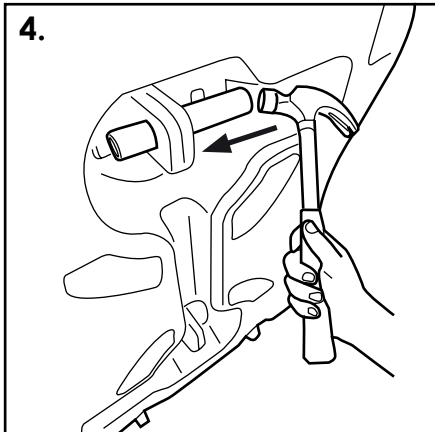
1. Place empty base on the ground and locate the two body legs into the slots within the base.



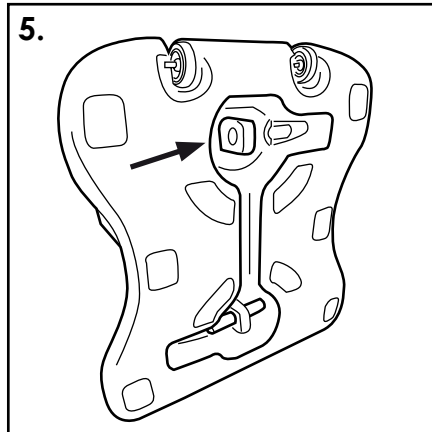
2. Tilt the unit and lay on its side in order to gain access to the underneath of the base.



3. Taking one of the two pegs provided insert the rounded end first into one of the holes in the body leg.



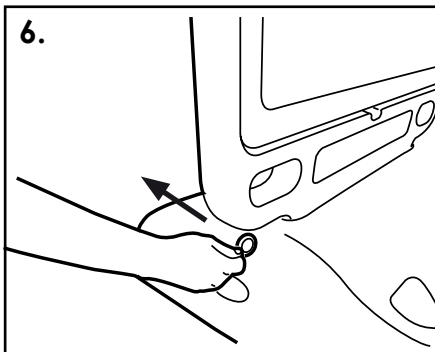
4. Using a hammer, tap the peg through the leg until it snaps in place (overrides lip) and locks.



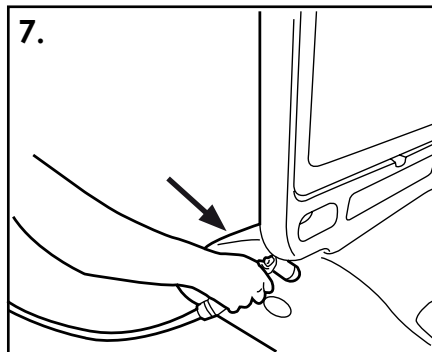
5. Turn the unit over to gain access to the other leg and repeat steps 3-4. The body and base are now secured together.

IMPORTANT: In order for this product to perform to its maximum potential the base MUST be ballasted either with water or sand (kiln dried sand recommended).

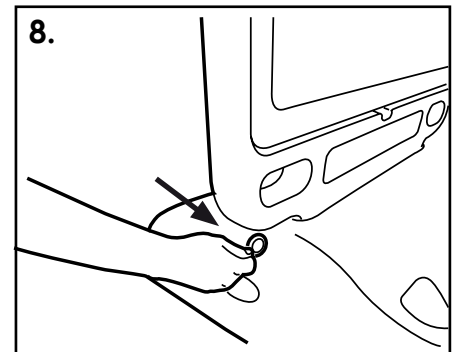
Filling the Base with Ballast - WATER - (Unit MUST be fully assembled first)



6. To fill with water, remove the filler cap on the side of the base. Ensure base is on a flat surface.



7. Using a hose fill the base until water reaches the filler hole. DO NOT over fill as there will be no space for expansion if the water freezes.



8. Replace filler cap.

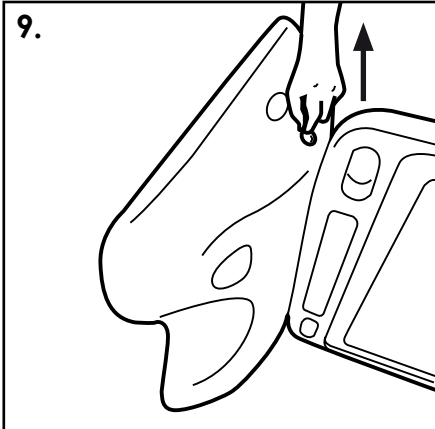
ADVOCATE™ SIDEWALK SIGN



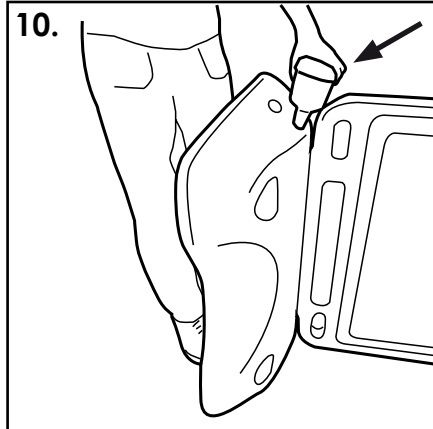
Glasdon

Assembly/Operator Instruction Leaflet

Filling the Base with Ballast - SAND - (Unit MUST be fully assembled first) 4 x 50lb bags kiln dried sand



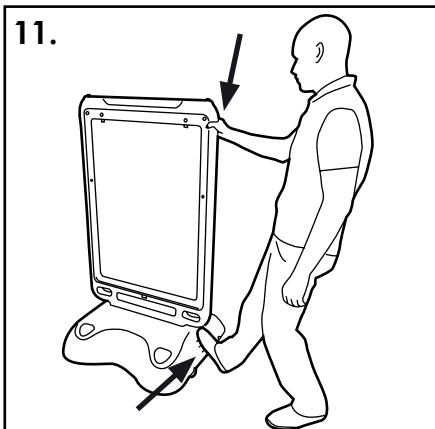
9. To fill with sand, lay the unit on its side in order to gain access to the fill port and remove filler cap.



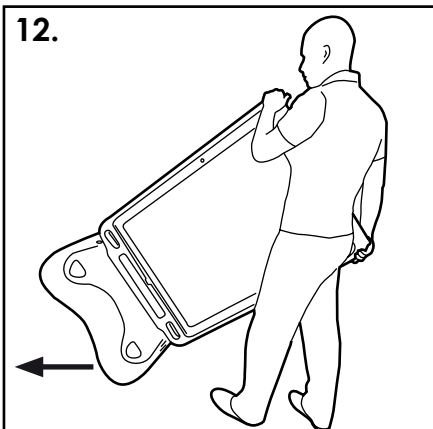
10. Using a funnel, pour sand through filler port until it reaches the level of the filler hole.

IMPORTANT: Once the unit has been ballasted it will be very heavy (200lbs) therefore take care when maneuvering.. See below.

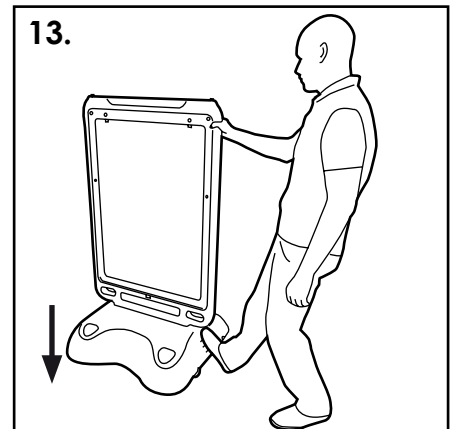
To Maneuver the Advocate



11. Place hand(s) around the side of the body and place your foot on the foot rest detail on the side of the base.

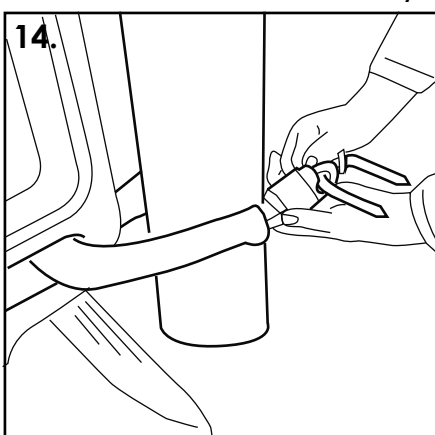


12. Using your foot and hands to lever the unit, tilt the unit towards you so that the wheels engage with the ground. Push the unit to its location.



13. Carefully lower the unit back to the ground.

To Chain the Unit to a Post/Wall



14. Place the chain through one the holes at the bottom of the body and around the post/wall fixing bracket. Secure in position.

CLEANING YOUR SIGN

We would recommend the unit is hand washed with 10% solution of mild detergent in warm water using a soft bristle brush followed by a rinse with clean water.

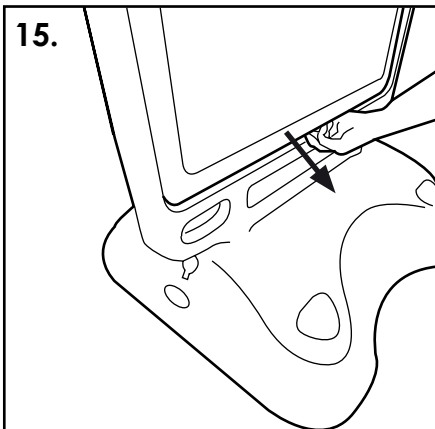
GRAFFITI: Felt tip pen or paint may be removed from Durapol using a proprietary graffiti remover. We would recommend using 3M GR1 Graffiti remover on the clear polycarbonate to ensure the material does not go cloudy.

ADVOCATE™ SIDEWALK SIGN

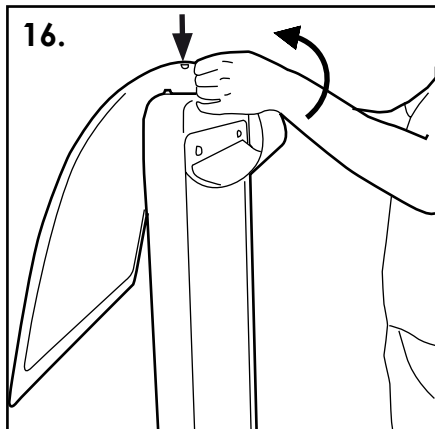


Assembly/Operator Instruction Leaflet

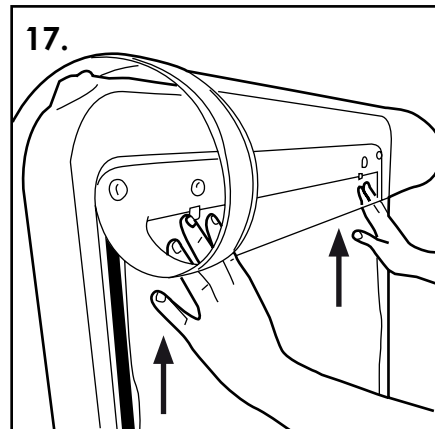
To Insert/Remove a Poster (Poster Dimensions 40 x 30 inches) See step 27.



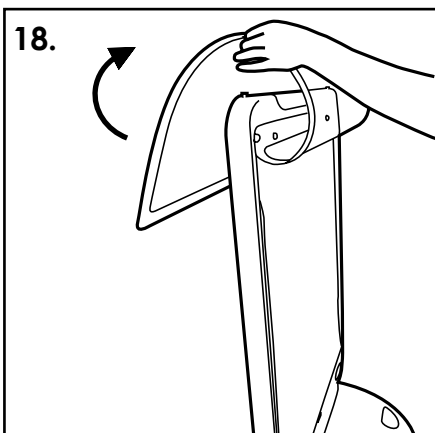
15. Place fingers into the opening recess at the bottom of the body and pull the clear polycarbonate protector away from the body/magnets.



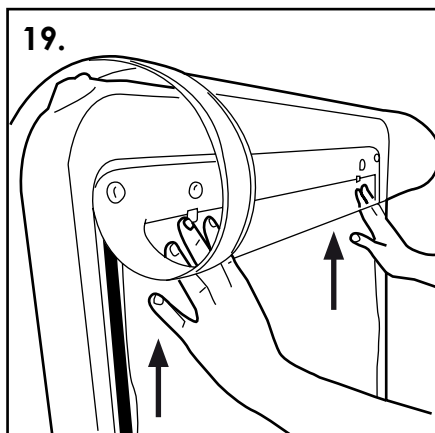
16. Bend the clear protector up and over the top of the body using the press studs on both sides to secure it in position. This allows two hands for ease of inserting the poster.



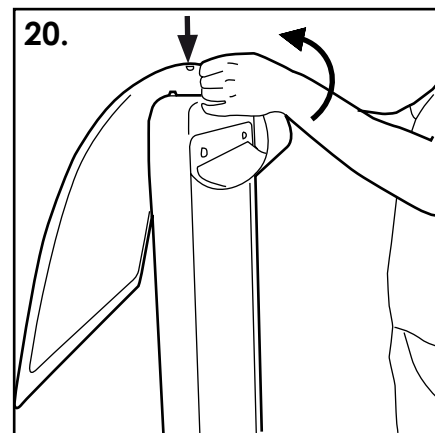
17. Take the poster and push the top edge underneath the two poster clips until it stops so that it is held securely in place. Ensure that both side edges of the poster are overlapping the magnets on the body.



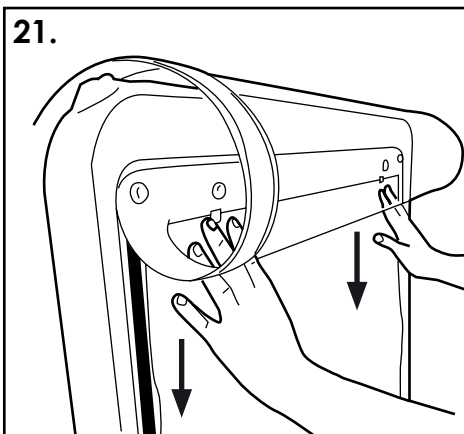
18. Unclip the clear protector from the press studs and pull back down into position over the poster ensuring all the magnets are connected.



19. Repeat steps 15 - 18 on the opposite side of the body to insert the second poster.



20. To remove the poster, firstly, repeat steps 15-16.



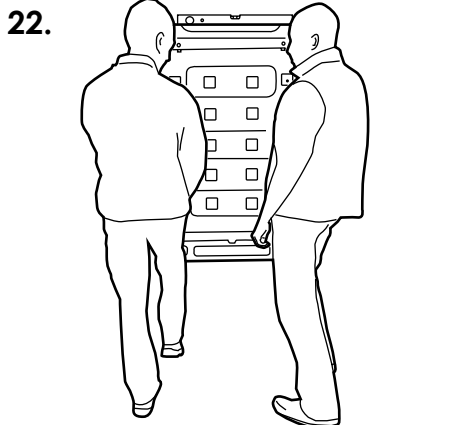
21. Pull the poster downwards from underneath the poster clips to remove. Unclip the clear protector from the press studs and pull back down into position over ensuring all the magnets are connected.

ADVOCATE™ SIDEWALK SIGN

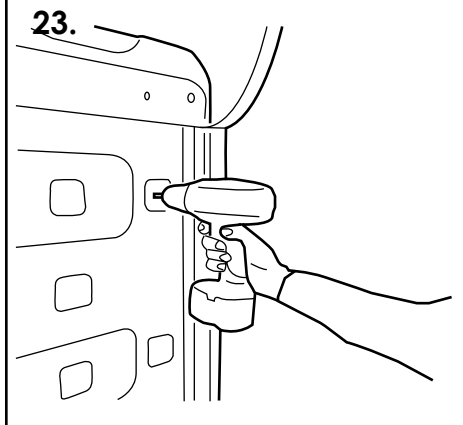


Assembly/Operator Instruction Leaflet

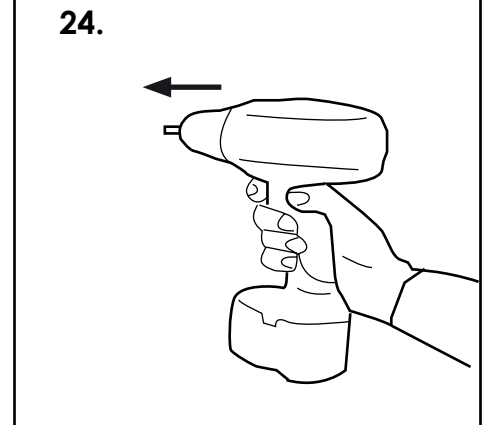
To Fix the Wall Mounted Unit to a Wall - (Two people required for assembly)



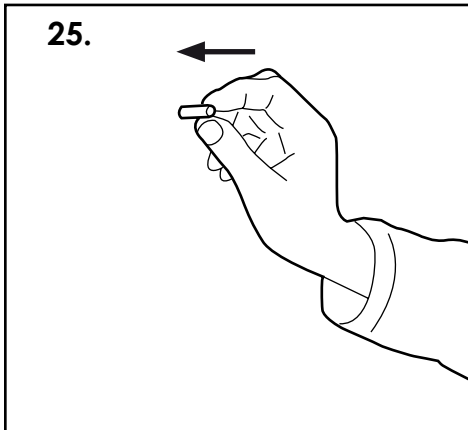
22. Lift the unit and position where suitable on the wall using a level to ensure it is horizontal. NOTE: the rectangular personalisation recess should be at the bottom.



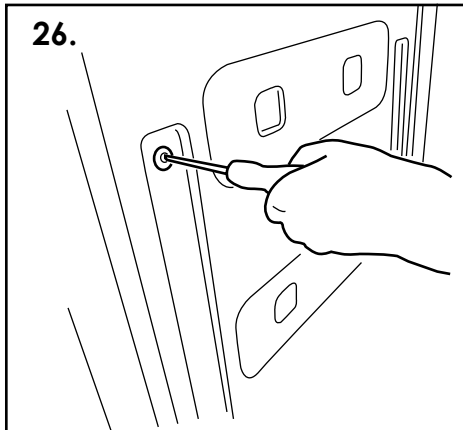
23. Open the clear polycarbonate cover by lifting upwards. Using a 7mm or 8mm masonry bit, drill through each of the 4 holes in the unit to make a small mark on the wall.



24. Remove the unit from the wall and drill 4 off holes where the markings appear on the wall.

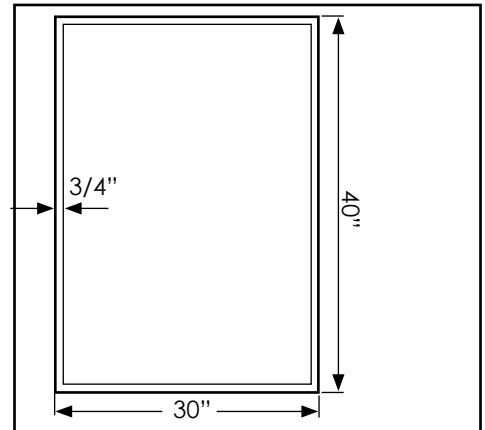


25. Insert a wall plug into each hole and lift the unit back into position on the wall.



26. Place a 25mm washer onto a 60mm screw provided and push through hole in the unit. Place a 28mm spacer onto the screw so that is located between the unit and the wall. Locate the screw with the wall plug and fix the unit to the wall using a pozi drive screwdriver. Repeat on remaining 3 off fixing points. DO NOT overtighten.

POSTER PRINTING DIMENSIONS



The unit is designed to frame a 40 x 30 inch poster. The poster can either be printed on paper or it can be laminated for added durability. NOTE: The clear polycarbonate protector has a printed border therefore the graphics must be inset so they are not hidden by the border. See dimensions above.

- A planned maintenance schedule of regular inspection is recommended, replacing components as necessary.
- Replacement components are available direct from GLASDON, Inc.
- GLASDON, Inc. cannot be held responsible for claims arising from incorrect installation, unauthorized modifications or misuse of the product.

Glasdon AND ADVOCATE ARE TRADEMARKS OF GLASDON GROUP OR ITS SUBSIDIARIES IN THE U.K. AND OTHER COUNTRIES

Issue 1 Sept. 2015 C000/0467 US

©Copyright 02/2016

Glasdon reserve the right to alter specifications without prior notice.



Glasdon, Inc.
5200D Anthony Road
Sandston
VA 23150

Sales Inquiries: 1-855-USGLASDON
General Inquiries: 804-726-3777
Fax: 804-726-3778

E-mail: info@glasdon.com
Web: www.glasdon.com